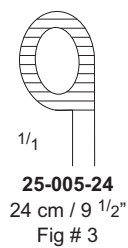
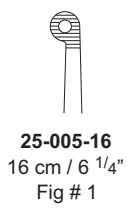
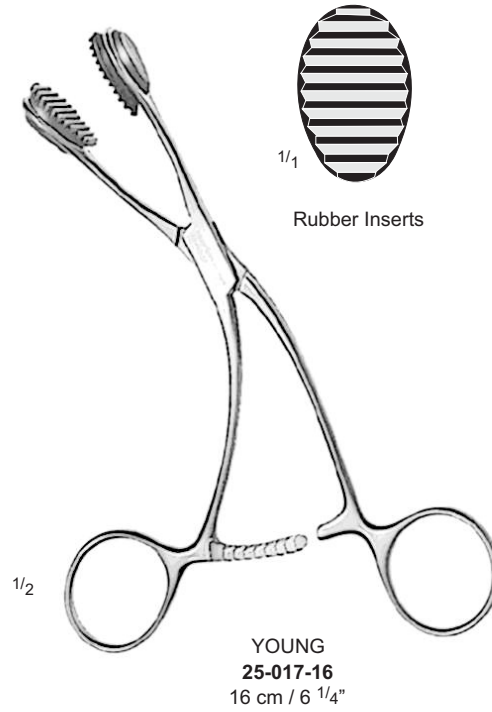
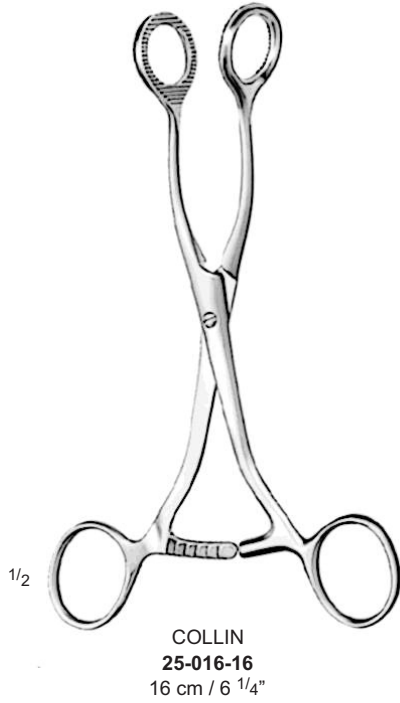


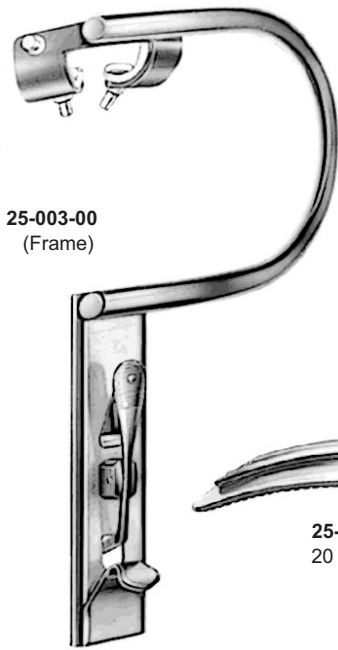
Laryngoscopes



25

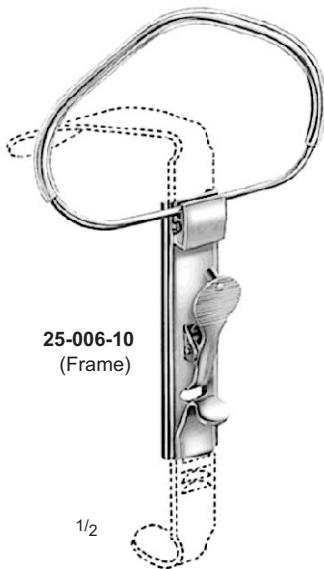
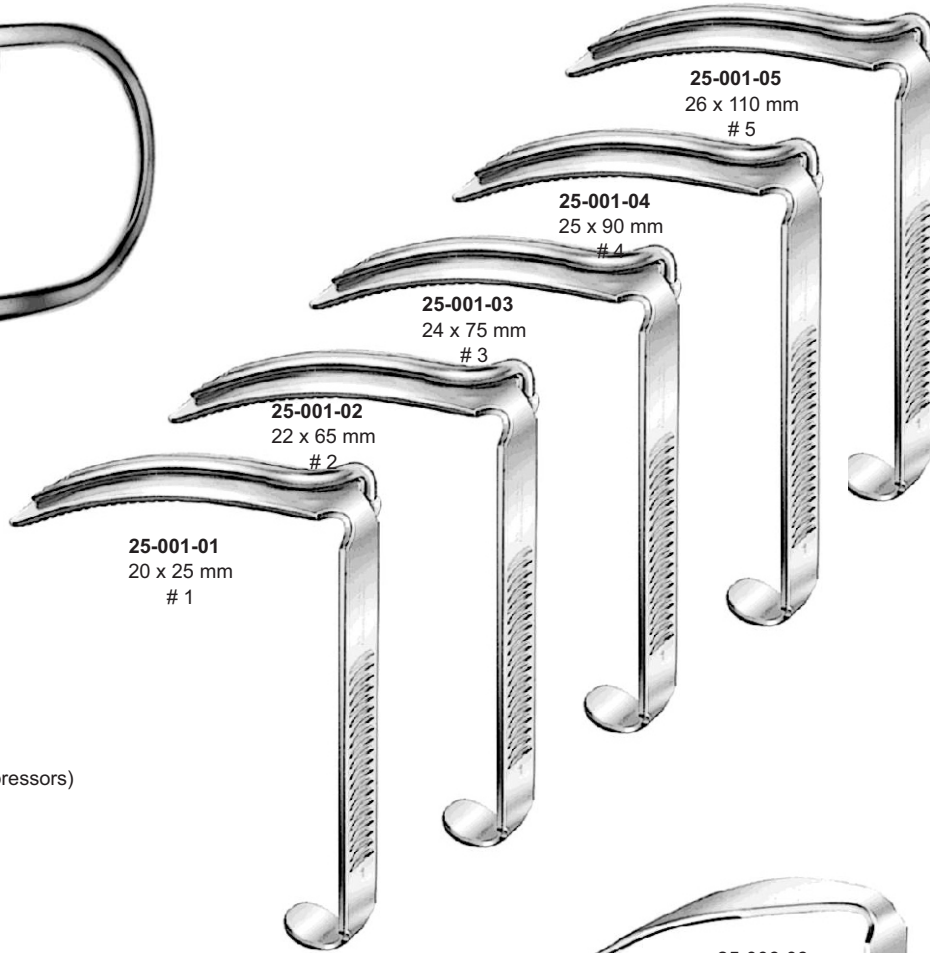


Mouth Gags



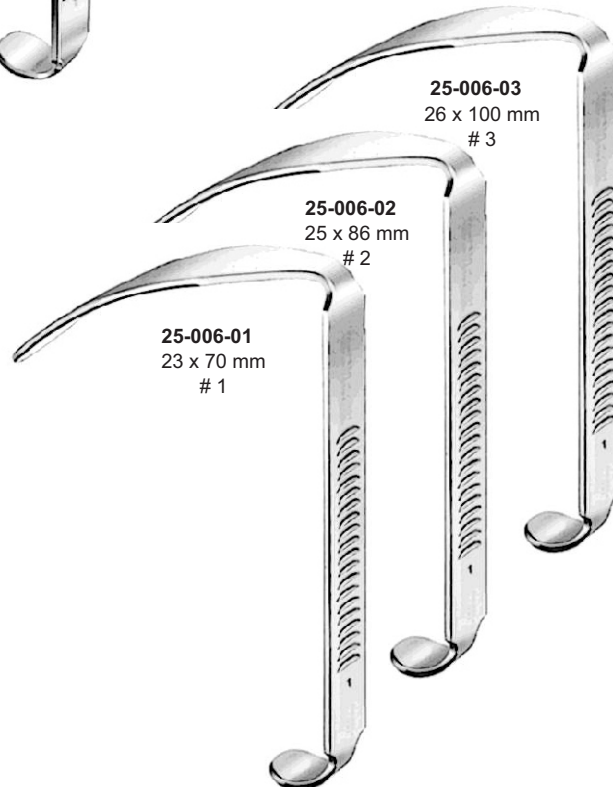
25-003-00
(Frame)

DAVIS BOYLE
25-002-02
Complete
(1 Frame, 5 Tongue Depressors)



25-006-10
(Frame)

MCIVOR
25-006-00
Complete
(1 Frame, 3 Tongue Depressors)



Laryngoscope Sets, McIntosh



25-023-01 – 25-023-04



25-043-40 – 25-043-55



25-022-01 – 25-022-04
25-042-01 – 25-043-04

MCINTOSH (CONVENTIONAL)

Wooden Box	Artificial Leather Emergency Bag	Contents
25-022-01	25-023-01	Set of 3 blades No. 2,3,4
25-022-02	25-023-02	Set of 4 blades No. 0,1,2,3 (Pediatric)
25-022-03	25-023-03	Set of 4 blades No. 1,2,3,4
25-022-04	25-023-04	Set of 5 blades, No. 1,2,3,4,5

All sets include 1 standard battery handle
and 2 spare lamps

MCINTOSH (FIBEROPTIC)

Wooden Box	Artificial Leather Emergency Bag	Contents
25-042-01	25-043-01	Set of 3 blades No. 2,3,4
25-042-02	25-043-02	Set of 4 blades No. 0,1,2,3 (Pediatric)
25-042-03	25-043-03	Set of 4 blades No. 1,2,3,4
25-042-04	25-043-04	Set of 5 blades, No. 1,2,3,4,5

All sets include 1 standard battery handle
and 2 spare lamps



25-026-10 – 25-026-14
25-046-10 – 25-046-14

WIS-FOREGGER (CONVENTIONAL)

Wooden Box	Artificial Leather Emergency Bag	Contents
25-026-01	25-027-01	Set of 3 blades No. 2,3,4
25-026-02	25-027-02	Set of 4 blades No. 0,1,2,3 (Pediatric)
25-026-03	25-027-03	Set of 4 blades No. 1,2,3,4
25-026-04	25-027-04	Set of 5 blades, No. 1,2,3,4,5

All sets include 1 standard battery handle
and 2 spare lamps

WIS-FOREGGER (FIBRE OPTIC)

Wooden Box	Artificial Leather Emergency Bag	Contents
25-046-01	25-047-01	Set of 3 blades No. 2,3,4
25-046-02	25-047-02	Set of 4 blades No. 0,1,2,3 (Pediatric)
25-046-03	25-047-03	Set of 4 blades No. 1,2,3,4
25-046-04	25-047-04	Set of 5 blades, No. 1,2,3,4,5

All sets include 1 standard battery handle
and 2 spare lamps

25-044-10 – 25-044-14
25-046-10 – 25-046-14



25-028-10 – 25-028-14
25-048-10 – 25-048-14

MILLER (CONVENTIONAL)

Wooden Box	Artificial Leather Emergency Bag	Contents
25-028-00	25-029-01	Set of 3 blades No. 1,2,3
25-028-02	25-029-02	Set of 4 blades No. 0,1,2,3 (Pediatric)
25-028-03	25-029-03	Set of 4 blades No. 1,2,3,4
25-028-04	25-029-04	Set of 5 blades, No. 1,2,3,4,5

All sets include 1 standard battery handle
and 2 spare lamps

MILLER (FIBRE OPTIC)

Wooden Box	Artificial Leather Emergency Bag	Contents
25-048-01	25-049-01	Set of 3 blades No. 1,2,3
25-048-02	25-049-02	Set of 4 blades No. 0,1,2,3 (Pediatric)
25-048-03	25-049-03	Set of 4 blades No. 1,2,3,4
25-048-04	25-049-04	Set of 5 blades, No. 1,2,3,4,5

All sets include 1 standard battery handle
and 2 spare lamps

McIntosh Blades, Conventional



25-024-10
Fig. 0, 55 mm
For Premature Babies



25-024-11
Fig. 1, 70 mm
For Infants



25-024-12
Fig. 2, 90 mm
For Children



25-024-13
Fig. 3, 110 mm
For Adults, Medium

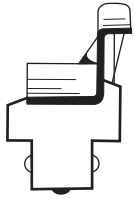


25-024-14
Fig. 4, 130 mm
For Adults, Large



25-024-15
Fig. 5, 150 mm
For Adults, Extra Large

McIntosh Blades, Fibre Optic (Cold Light)



25-044-10
Fig. 0, 55 mm
For Premature Babies



25-044-11
Fig. 1, 70 mm
For Infants



25-044-12
Fig. 2, 90 mm
For Children



25-044-13
Fig. 3, 110 mm
For Adults, Medium



25-044-14
Fig. 4, 130 mm
For Adults, Large



25-026-10
Fig. 0, 55 mm
For Premature Babies



25-026-11
Fig. 1, 70 mm
For Infants



25-026-12
Fig. 2, 90 mm
For Children



25-026-13
Fig. 3, 110 mm
For Adults, Medium



25-026-14
Fig. 4, 135 mm
For Adults, Large

Wis-Foregger Blades, Fibre Optic (Cold Light)



25-046-10
Fig. 0, 55 mm
For Premature Babies



25-046-11
Fig. 1, 70 mm
For Infants



25-046-12
Fig. 2, 90 mm
For Children



25-046-13
Fig. 3, 110 mm
For Adults, Medium



25-046-14
Fig. 4, 135 mm
For Adults, Large



25-028-10
Fig. 0, 55 mm
For Premature Babies



25-028-11
Fig. 1, 80 mm
For Infants



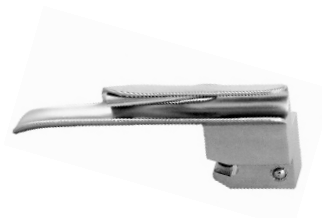
25-028-12
Fig. 2, 130 mm
For Children



25-028-13
Fig. 3, 170 mm
For Adults, Medium



25-028-14
Fig. 4, 180 mm
For Adults, Large



25-048-10
Fig. 0, 55 mm
For Premature Babies



25-048-11
Fig. 1, 80 mm
For Infants



25-048-12
Fig. 2, 130 mm
For Children



25-048-13
Fig. 3, 170 mm
For Adults, Medium



25-048-14
Fig. 4, 180 mm
For Adults, Large

25-029-01



25-029-02



FIBRE OPTIC
25-030-11
ø 24 mm
11 cm / 4 1/4"



STANDARD
25-031-13
ø 19 mm
13 cm / 5"



STANDARD
25-032-14
ø 28mm
14 cm / 5 1/2"



FIBRE OPTIC
25-033-14
ø 28mm
14 cm / 5 1/2"